

BELZONA® KNOW-HOW

FOR THE REPAIR, RENOVATION AND RECLAMATION OF

SHIPS AND OFFSHORE STRUCTURES



BELZONA® SOS SYSTEM SELECTOR FOR SHIPS AND OFFSHORE STRUCTURES

SYSTEM	APPLICATION
Belzona SOS-1	Rebuilding general erosion damage
Belzona SOS-2	Applying erosion/corrosion resistant coatings
Belzona SOS-3	Rebuilding rudder pintles and their housings
Belzona SOS-4	Bonding pintle sleeves
Belzona SOS-5	Reinforcing cargo tank bottoms
Belzona SOS-6	Rebuilding and protecting propeller shafts
Belzona SOS-7	Repairing seal areas on variable pitch propellers
Belzona SOS-8	Creating irregular shims
Belzona SOS-9	Reseating and isolating bearing bushes
Belzona SOS-10	Creating seals
Belzona SOS-11	Protecting insulation
Belzona SOS-12	Repairing fenders and floating hoses
Belzona SOS-13	Casting mud valves
Belzona SOS-14	Protecting down hole tools
Belzona SOS-15	Potting cables
Belzona SOS-16	Creating safety grip systems
Belzona SOS-17	Fairing propeller bolts
Belzona SOS-18	Casting cutlass bearings
Belzona SOS-19	Rebuilding power blocks
Belzona SOS-20	Bonding underwater

BELZONA KNOW-HOW

In addition to Ships and Offshore Structures, Belzona's Know-How extends to the repair, renovation, and reclamation of:

- Polymers in Pumps
- Centrifugal Pumps
- Heat Exchangers
- Mechanical Power Transmission
- Valves, Pipes and Fittings
- Positive Displacement Pumps
- Solids Handling Machinery
- Fans, Blowers and Compressors
- Tanks and Chemical Containment Areas
- Engines and Casings
- Gaskets, Seals and Shims
- General Equipment
- Roof Problem Areas
- Floor Problem Areas

... and many more

Please call or write for additional information.



BS EN ISO 9001 - 2000
Certificate No. Q09335

©Copyright 2003 by Belzona International, Ltd. All rights reserved. No part of this work covered by the copyrights herein may be reproduced or used in any form or by any means - graphic, electronic or mechanical including photocopying, recording, taping, or information storage and retrieval systems - without written permission of the publisher. ® Belzona is a registered trademark.

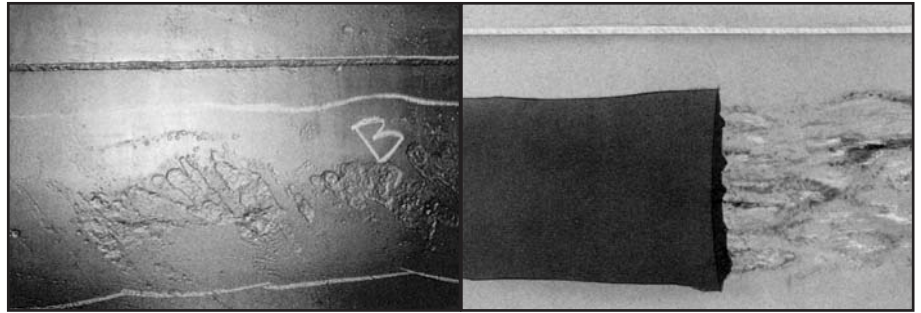
BELZONA INC.
2000 NW 88th Court, Miami, Florida 33172, U.S.A.
Tel: (305) 594-4994, Fax: (305) 599-1140
belzona@belzona.com

www.belzona.com

BELZONA POLYMERICS, LTD.
Claro Road, Harrogate, North Yorkshire HG14AY England
Tel: +44 (0) 1423 567641, Fax: +44 (0) 1423 505967
belzona@belzona.co.uk

HULL AND EXTERNAL STRUCTURES

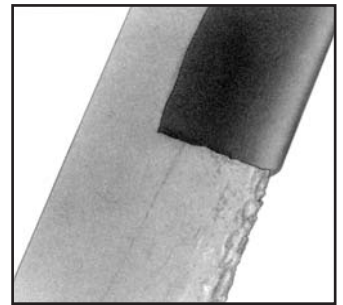
- Fair hull sections.
- Repair fiberglass hulls.
Refer to Belzona SOS-1.
- Rebuild and protect stabilizer fins.
- Rebuild and protect hydrofoil leading edges.
- Rebuild and protect propeller strut assemblies.
- Rebuild and protect rudders.
Refer to Belzona SOS-1 and SOS-2.
- Rebuild rudder pintle housings.
Refer to Belzona SOS-3.
- Sleeve rudder pintles.
Refer to Belzona SOS-4.
- Rebuild bushing and bearing housings.
Refer to Belzona SOS-9.
- Repair rubber flotation chambers.
Refer to Belzona SOS-12.
- Emergency underwater repairs.
Refer to Belzona SOS-20.



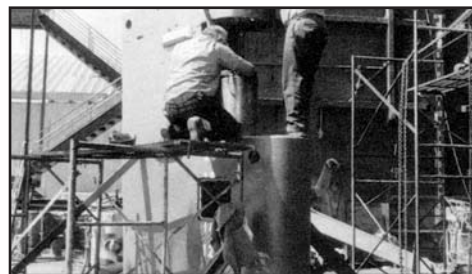
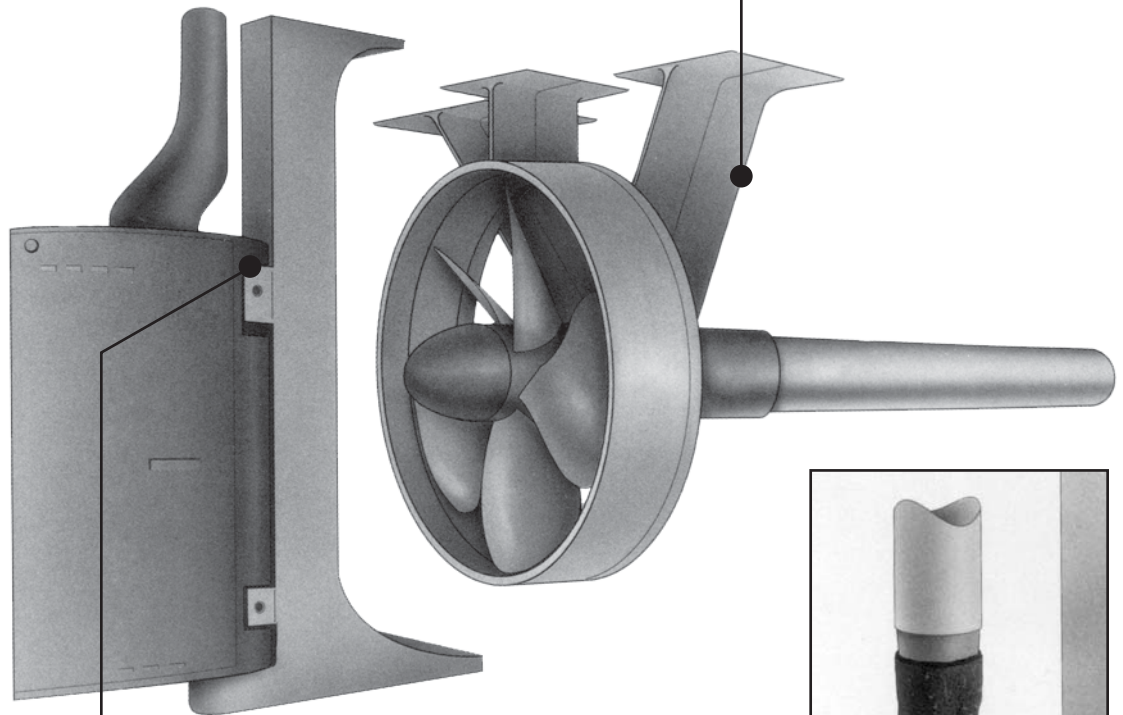
Belzona SOS-1



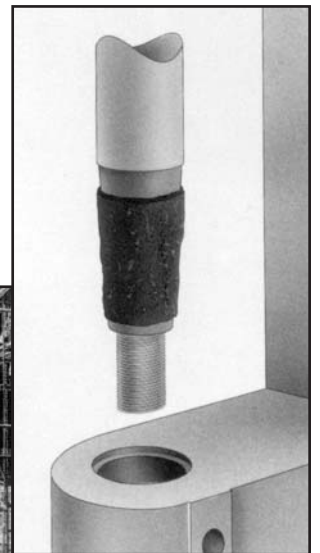
Belzona SOS-20



Belzona SOS-1, SOS-2

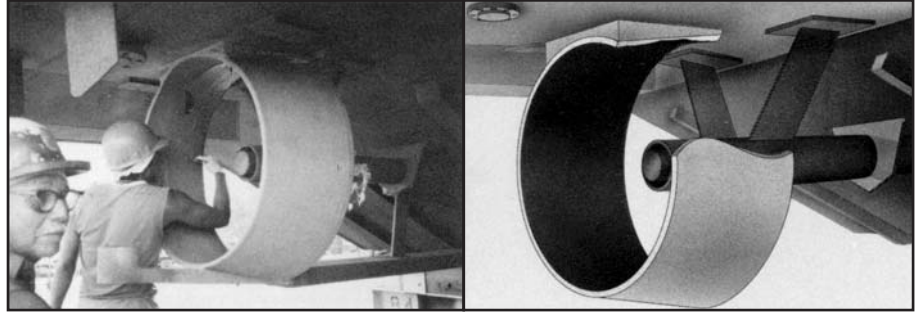


Belzona SOS-3

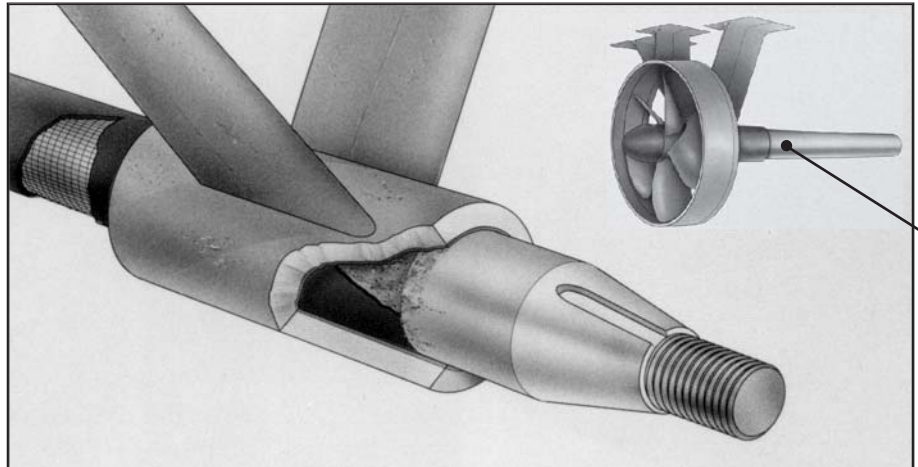


PROPULSION SYSTEMS

- Rebuild and protect propellers.
- Rebuild and protect kort nozzles.
- Rebuild and protect bow and stern thrusters tubes.
- Rebuild and protect hovercraft fan blades and pylons.
- Rebuild and protect jet propulsion systems.
Refer to Belzona SOS-1 and SOS-2.
- Rebuild propeller shaft flanges.
Refer to Belzona SOS-2.
- Rebuild and protect propeller shafts.
Refer to Belzona SOS-6.
- Seal variable pitch propeller hubs.
Refer to Belzona SOS-7.
- Rebuild stern tube housings.
Refer to Belzona SOS-9.
- Repair hovercraft skirts.
Refer to Belzona SOS-12.
- Cast cutlass bearings.
Refer to Belzona SOS-18.



Belzona SOS-1, SOS-2



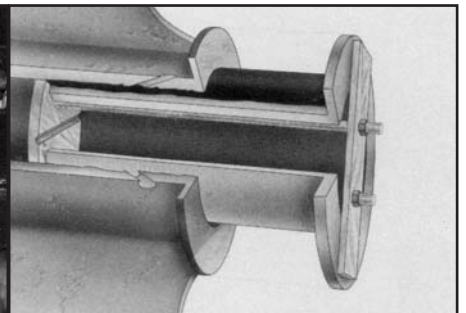
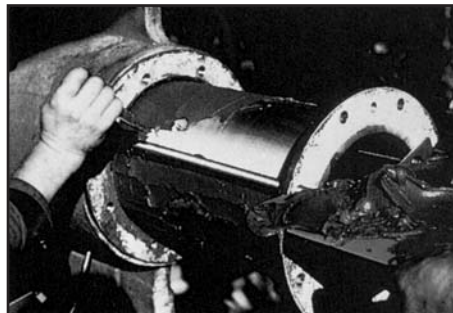
Belzona SOS-6



Belzona SOS-1



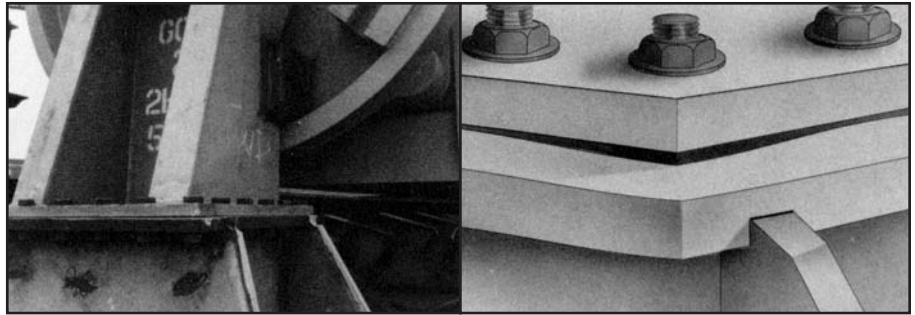
Belzona SOS-1, SOS-2



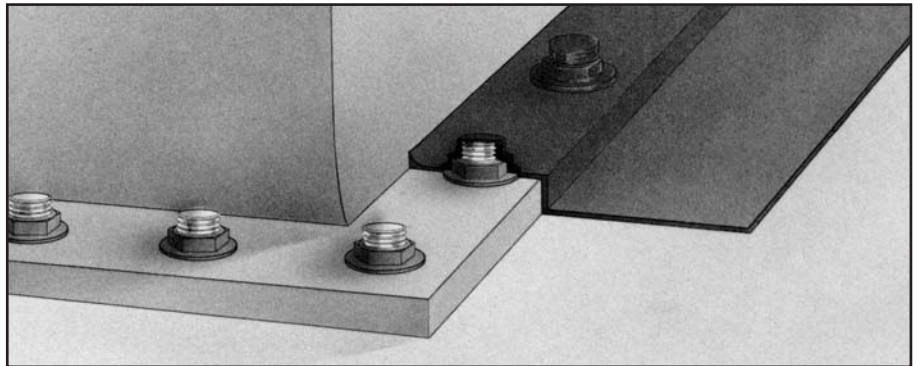
Belzona SOS-9

DECK MACHINERY AND EQUIPMENT

- Shim deck machinery.
Refer to Belzona SOS-8.
- Seal around deck machinery.
- Seal hatch covers and manways.
- Seal water-tight doors.
- Seal sectional helicopter landing decks.
- Caulk and seal wood decking.
Refer to Belzona SOS-10.
- Create safety non-skid surfacing.
Refer to Belzona SOS-16.



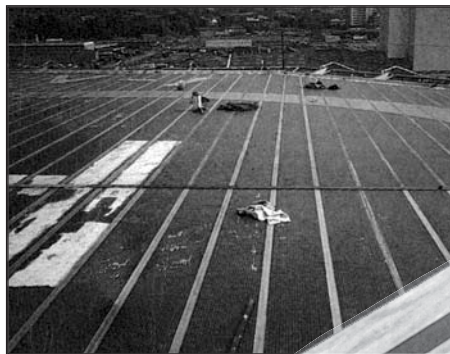
Belzona SOS-8



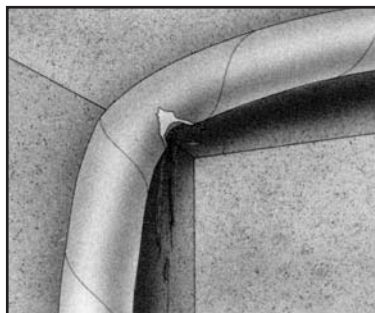
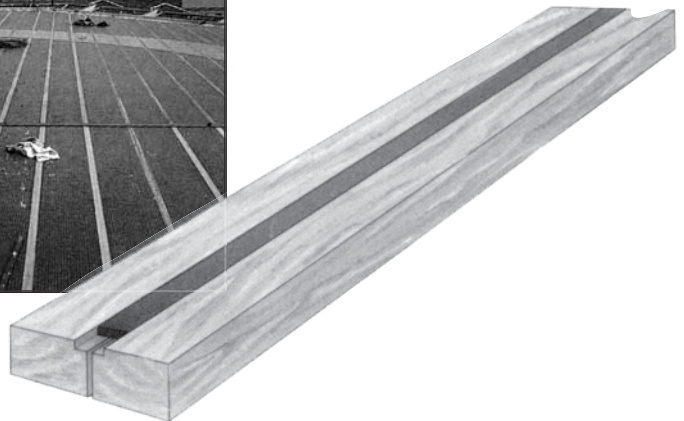
Belzona SOS-10

MARINE ELECTRICAL EQUIPMENT

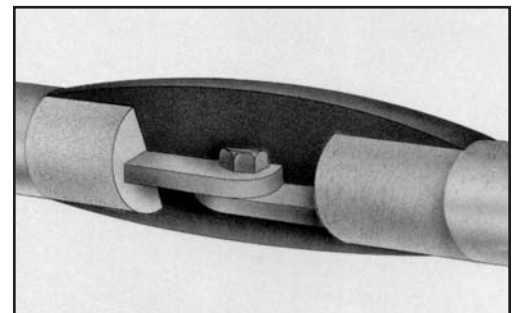
- Repair damaged cable insulation.
Refer to Belzona SOS-12.
- Insulate and pot electrical connections and passages.
Refer to Belzona SOS-15.



Belzona SOS-10



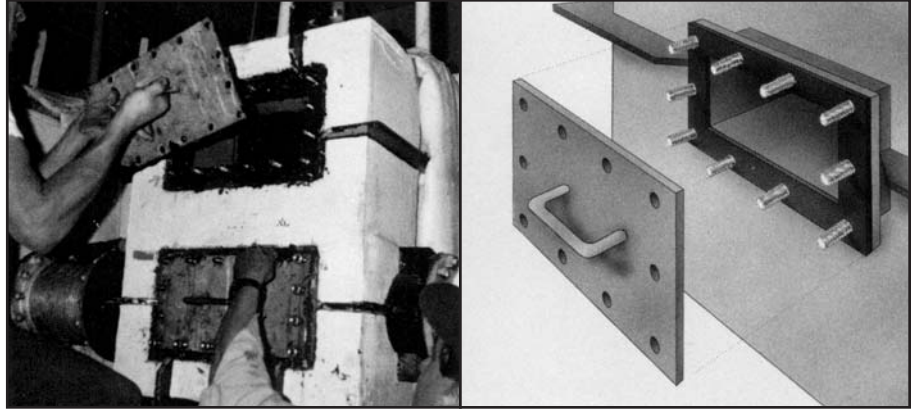
Belzona SOS-12



Belzona SOS-15

AUXILIARY MACHINERY

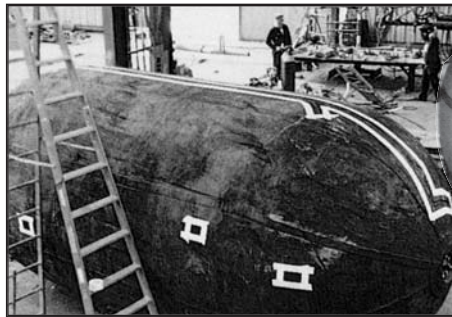
- Rebuild and protect sea chests.
Refer to Belzona SOS-1 and SOS-2.
- Rebuild and seal evaporators.
Refer to Belzona SOS-1 and SOS-10.
- Rebuild diesel engine liner seal areas.



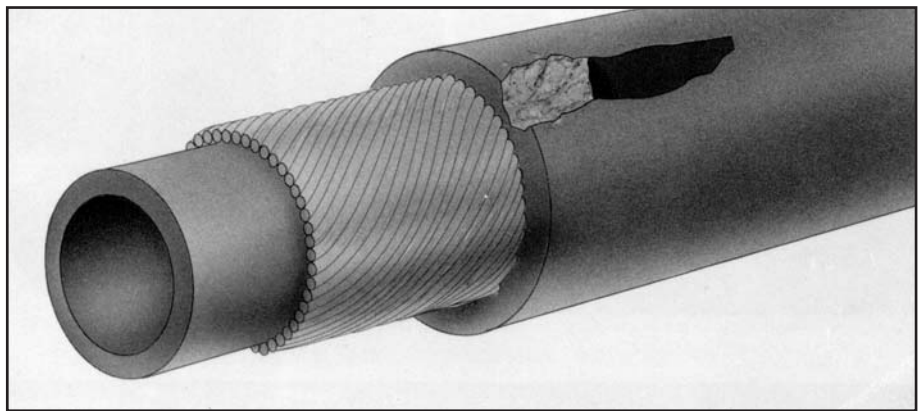
Belzona SOS-10

MOORING EQUIPMENT

- Rebuild and fair mooring bits.
Refer to Belzona SOS-1.
- Repair and seal fenders.
- Repair and seal floating hoses.
Refer to Belzona SOS-12.
- Rebuild power blocks.
Refer to Belzona SOS-19.



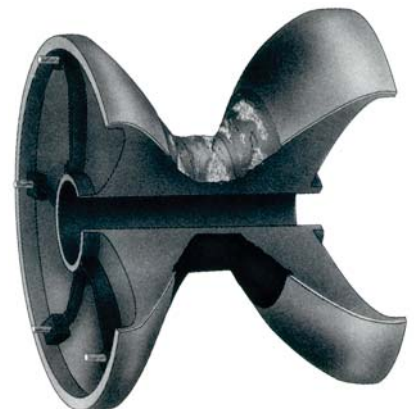
Belzona SOS-12



Belzona SOS-12



Belzona SOS-19



**CARGO AND
PROCESSING TANK
SYSTEMS**

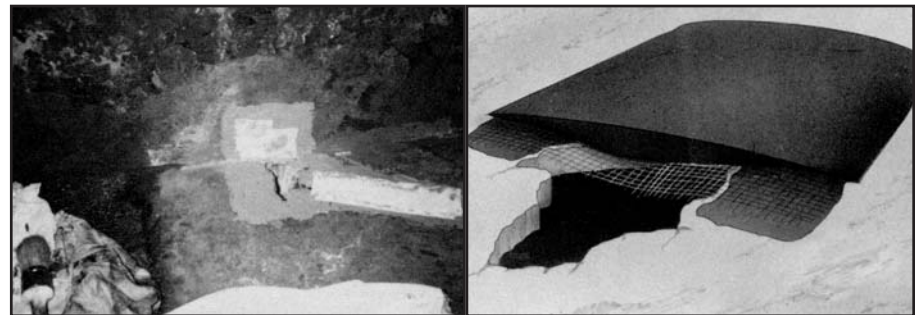
- Rebuild and protect cargo pipes.
- Repair and protect: sand filters, de-aerators, separators, coalescers, and de-gassers.
- Rebuild and protect inert gas systems.
Refer to Belzona SOS-1 and SOS-2.
- Reinforce tank bottoms.
Refer to Belzona SOS-5.



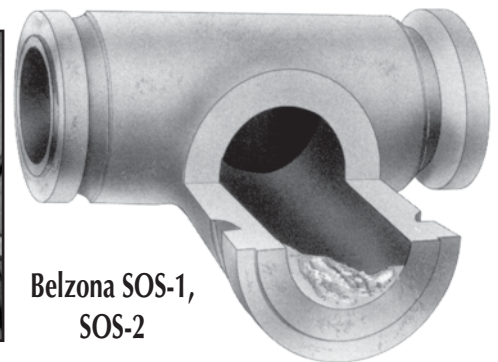
Belzona SOS-2

**OFFSHORE
PRODUCTION AND
DRILLING EQUIPMENT**

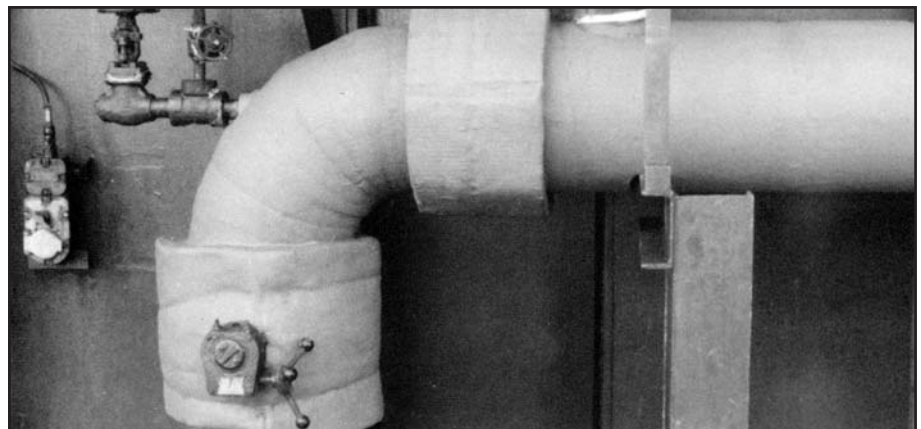
- Rebuild and protect di-chlor injection tee pieces.
Refer to Belzona SOS-1 and SOS-2.
- Protect riser pipes.
- Protect drilling mud pipes.
Refer to Belzona SOS-2.
- Waterproof primary fire walls.
Refer to Belzona SOS-10.
- Protect thermal insulation.
Refer to Belzona SOS-11.
- Cast mud valve inserts.
Refer to Belzona SOS-13.
- Protect down hole tools.
Refer to Belzona SOS-14.



Belzona SOS-5



**Belzona SOS-1,
SOS-2**



Belzona SOS-11