

BELZONA® KNOW-HOW

FOR THE REPAIR, RENOVATION AND RECLAMATION OF

VALVES, PIPES AND FITTINGS



BELZONA® VPF SYSTEM SELECTOR FOR VALVES, PIPES AND FITTINGS

SYSTEM	APPLICATION
Belzona VPF-1	Rebuilding erosion-corrosion damage
Belzona VPF-2	Applying erosion-corrosion resistant coatings
Belzona VPF-3	Repairing existing linings
Belzona VPF-4	Rebuilding valve slides and guides
Belzona VPF-5	Repair/resurface valve diaphragms and expansion bellows
Belzona VPF-6	Rebuilding threaded bushes
Belzona VPF-7	Relining/reseating gland and bush housings
Belzona VPF-8	Repairing cracked and holed casings
Belzona VPF-9	Repairing steam cut flanges
Belzona VPF-10	Bonding and sealing pipe joints
Belzona VPF-11	Repairing pipe leaks
Belzona VPF-12	Protecting insulation
Belzona VPF-13	Repairing distorted/corroded flange faces
Belzona VPF-14	Rebuilding and protecting concrete pipes
Belzona VPF-15	Creating pipe support linings and bonding wear plates

BELZONA KNOW-HOW

In addition to Floor Problem Areas, Belzona's Know-How extends to the repair, renovation, and reclamation of:

- Centrifugal Pumps
- Heat Exchangers
- Mechanical Power Transmission
- Ships and Offshore Structures
- Positive Displacement Pumps
- Solids Handling Machinery
- Fans, Blowers and Compressors
- Tanks and Chemical Containment Areas
- Engines and Casings
- Gaskets, Seals and Shims
- General Equipment

Please call or write for additional information.



BS EN ISO 9001 - 2000
Certificate No. Q09335

©Copyright 2003 by Belzona International, Ltd. All rights reserved. No part of this work covered by the copyrights herein may be reproduced or used in any form or by any means - graphic, electronic or mechanical including photocopying, recording, taping, or information storage and retrieval systems - without written permission of the publisher. ® Belzona is a registered trademark.

BELZONA INC.
2000 NW 88th Court, Miami, Florida 33172, U.S.A.
Tel: (305) 594-4994, Fax: (305) 599-1140
belzona@belzona.com

www.belzona.com

BELZONA POLYMERICS, LTD.
Claro Road, Harrogate, North Yorkshire HG14AY England
Tel: +44 (0) 1423 567641, Fax: +44 (0) 1423 505967
belzona@belzona.co.uk

VALVES

- Rebuild seat and seal areas.

Refer to Belzona VPF-1.

- Rebuild slides and guides.

Refer to Belzona VPF-4.

- Rebuild threaded bushes.

Refer to Belzona VPF-6.

- Rebuild/resurface gland housings.

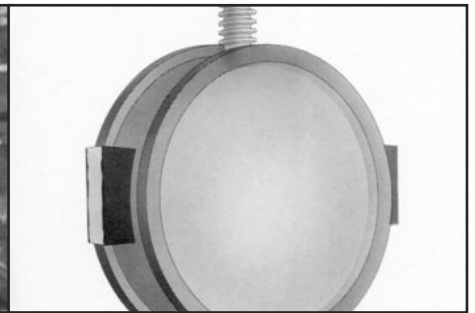
Refer to Belzona VPF-7.

- Repair cracked and holed casings.

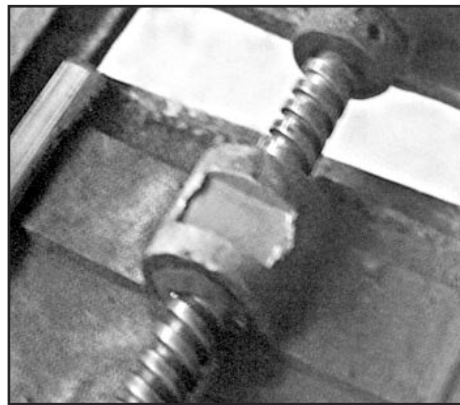
Refer to Belzona VPF-8.



Belzona VPF-1



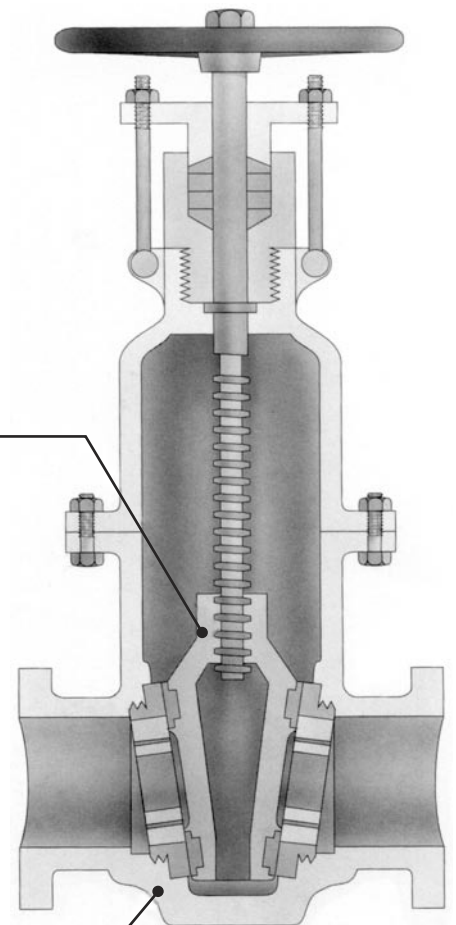
Belzona VPF-4



Belzona VPF-6



Belzona VPF-8



VALVES

- Rebuild and protect interior surfaces.

Refer to Belzona VPF-1 and VPF-2.

- Repair/resurface rubber diaphragms.

Refer to Belzona VPF-5.

- Reline/seal butterfly valve shaft location and bush housings.

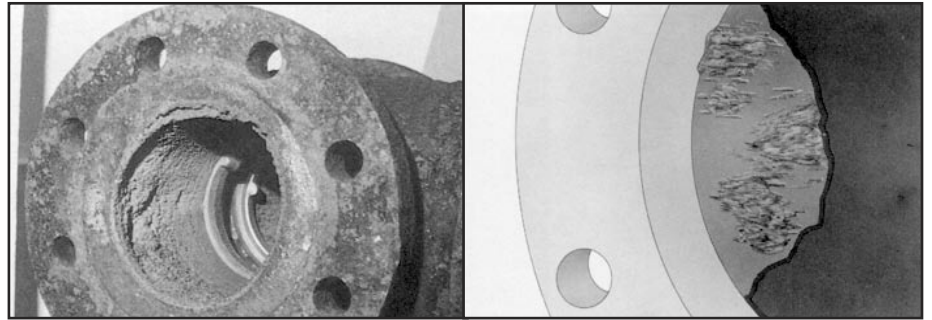
Refer to Belzona VPF-7.

- Repair existing linings.

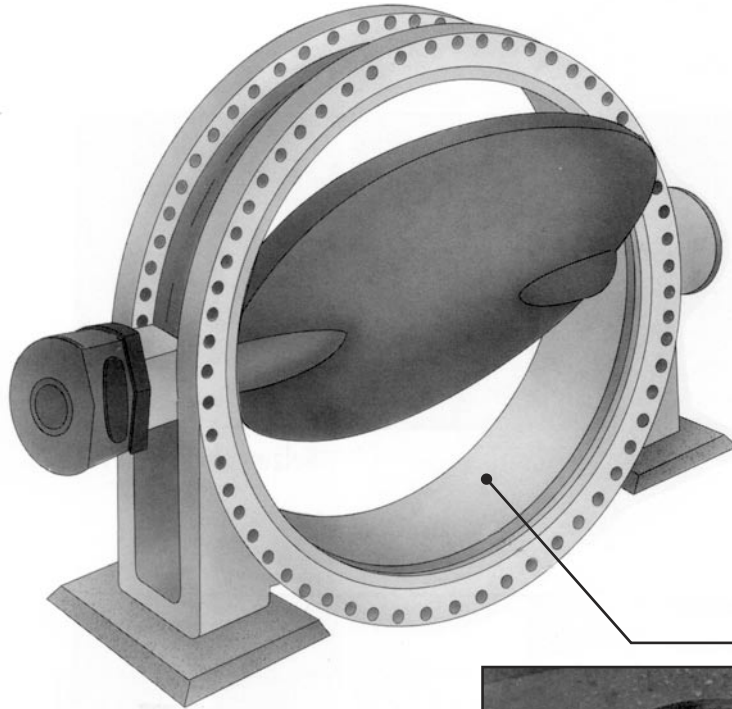
Refer to Belzona VPF-3.

- Strengthen corroded flanges.

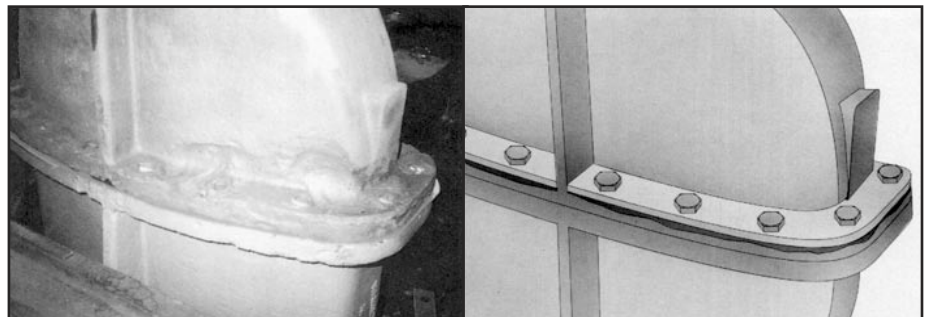
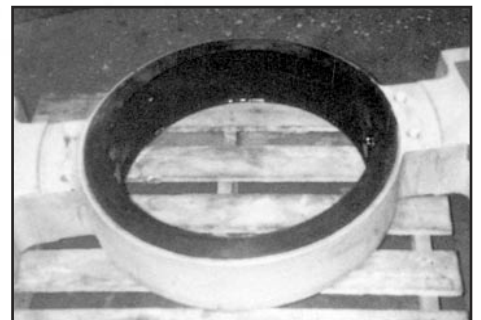
Refer to Belzona VPF-13.



Belzona VPF-1, VPF-2



Belzona VPF-3



Belzona VPF-13

PIPES

- Repair and protect weld seams.

Refer to Belzona VPF-1 and VPF-2.

- Rebuild and protect pipes against erosion.

Refer to Belzona VPF-1 and VPF-2.

- Repair existing linings.

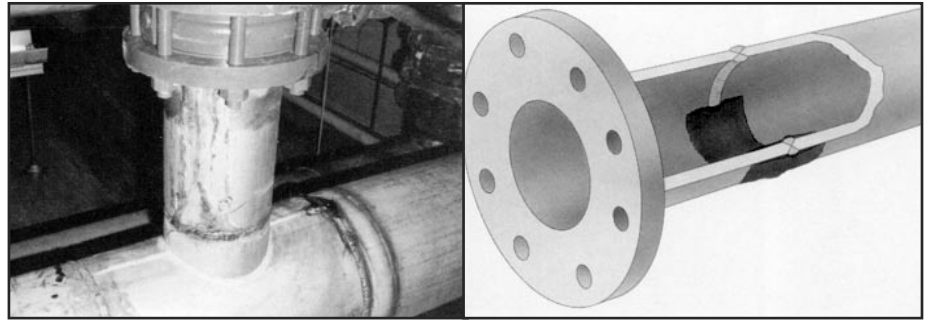
Refer to Belzona VPF-3.

- Bond and seal pipe joints.

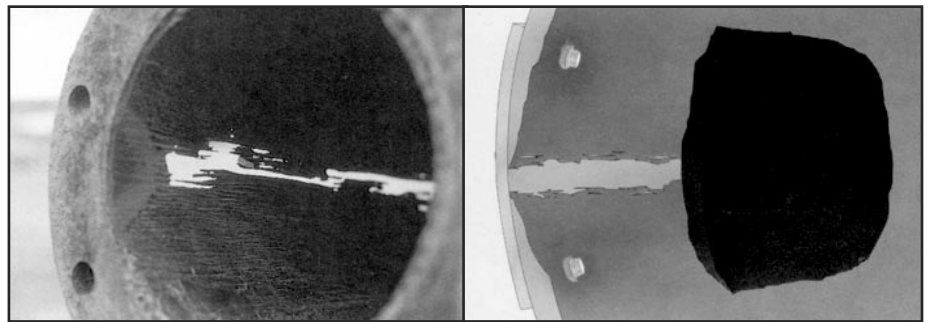
Refer to Belzona VPF-10.

- Repair leaking pipes.

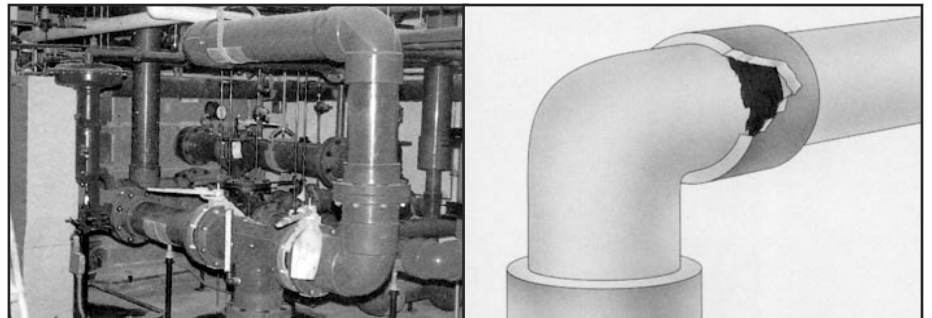
Refer to Belzona VPF-11.



Belzona VPF-1, VPF-2



Belzona VPF-1, VPF-2



Belzona VPF-10



Belzona VPF-11

PIPES

- Repair steam cut wire drawn flanges.

Refer to Belzona VPF-9.

- Re-form/reseat distorted or corroded flange faces.

Refer to Belzona VPF-13.

- Isolate flange spacers and orifice plates.

- Protect internal and external surfaces against corrosion and chemical attack.

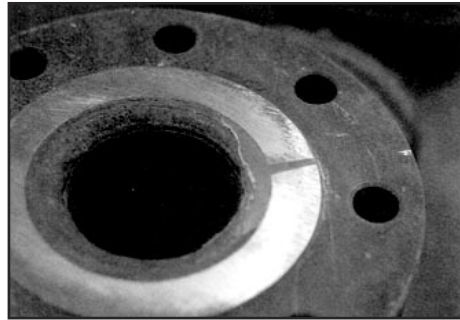
Refer to Belzona VPF-2.

- Repair and seal pipe expansion bellows.

Refer to Belzona VPF-5.

- Repair and protect concrete pipe joints.

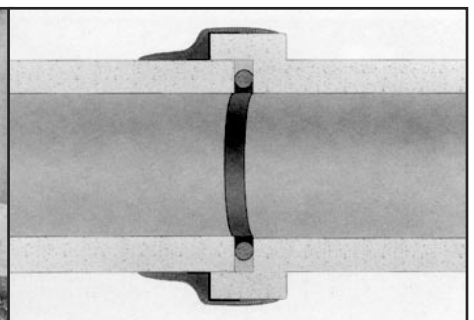
Refer to Belzona VPF-14.



Belzona VPF-9



Belzona VPF-5



Belzona VPF-14

FITTINGS

- Rebuild and repair erosion-corrosion damage.

Refer to Belzona VPF-1.

- Protect internal surfaces against corrosion.

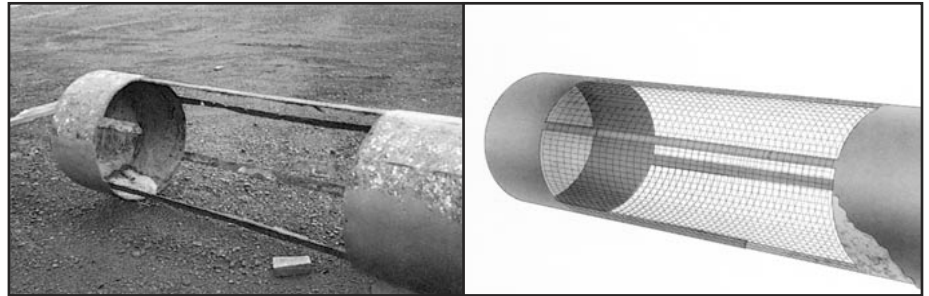
Refer to Belzona VPF-2.

- Create insulating, self-lubricating, or vibration-dampening linings for pipe supports and hangers.

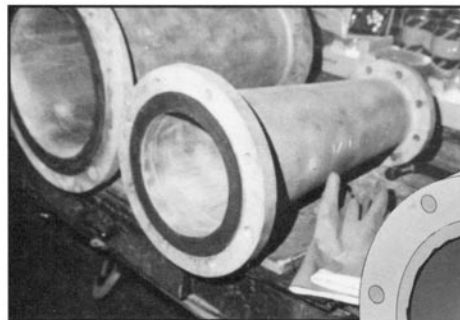
Refer to Belzona VPF-15.

- Protect and encapsulate insulation.

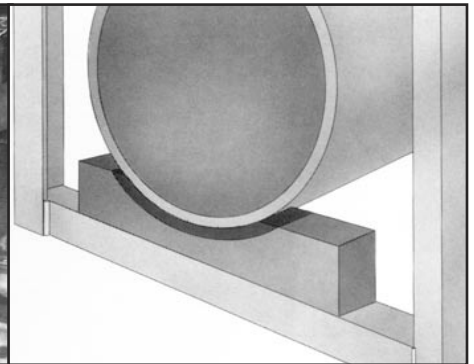
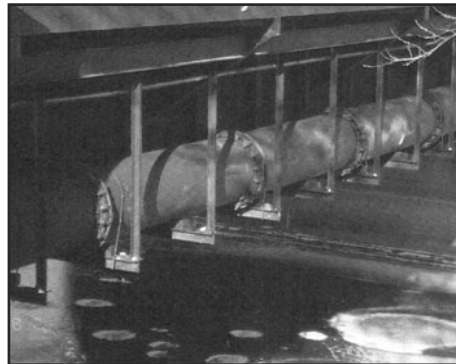
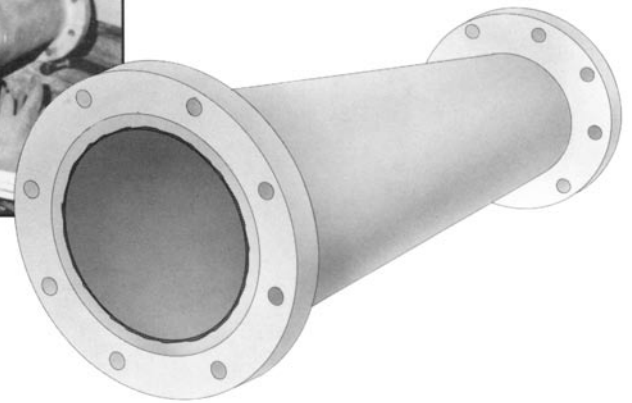
Refer to Belzona VPF-12.



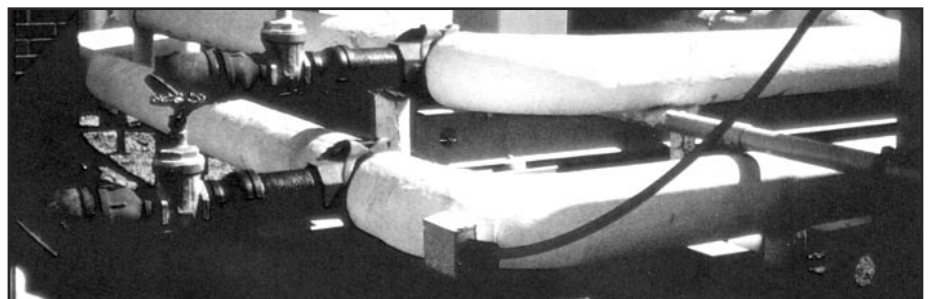
Belzona VPF-1



Belzona VPF-2



Belzona VPF-15



Belzona VPF-12